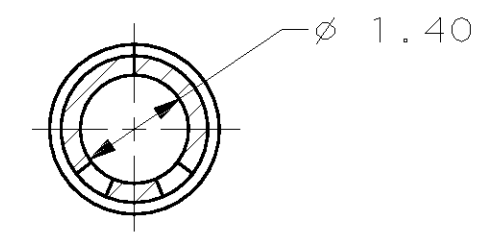
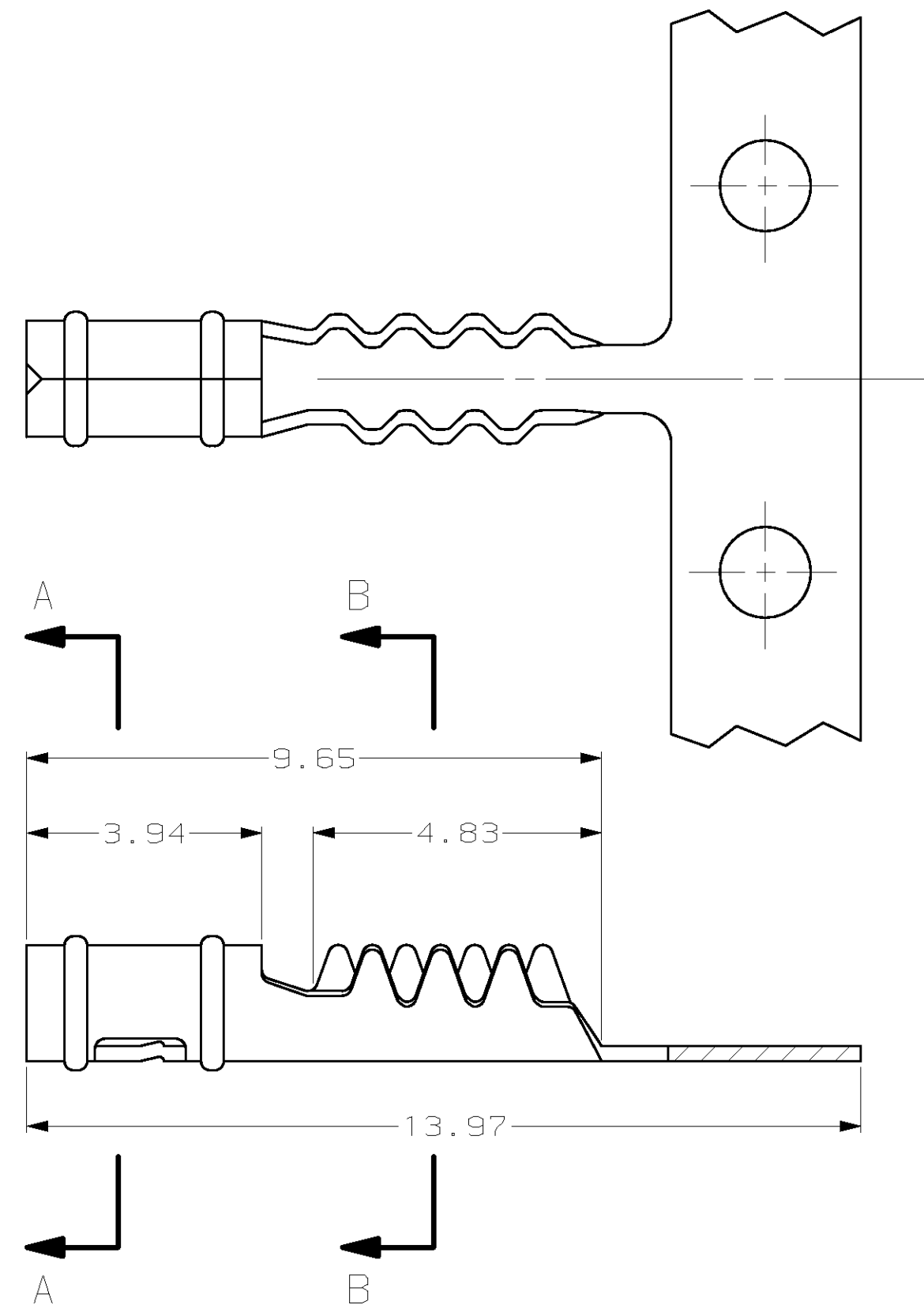
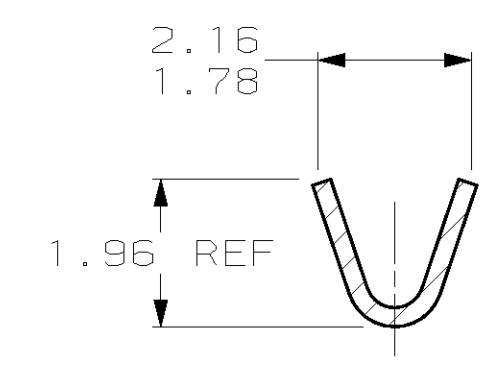


LOC	DIST	REVISIONS			
P	LTR	DESCRIPTION	DATE	DWN	APVD
CM	52	B	REV & REDWN PER EC 0L30-0125-97	6-9-97	TB RS

1. WIRE RANGE: TINSEL WIRE
2. INSULATION RANGE: 0.76 - 1.02



SECTION A-A



SECTION B-B

350393-1
PART NUMBER

MM	IN	MM	IN	MM	IN	MM	IN
1.02	.040	1.96	.077	9.65	.380	-	-
0.76	.030	1.78	.070	4.83	.190	-	-
0.25	.010	1.47	.058	3.94	.155	-	-
0.13	.005	1.40	.055	2.16	.085	13.97	.550

CONVERSION TABLE

METRIC

THIS DRAWING IS A CONTROLLED DOCUMENT.		DWN T. BECK 6-09-97	AMP Incorporated Harrisburg, PA 17105-3608	
DIMENSIONS: mm		CHK R. SWING 6-09-97	NAME RECEPTACLE, .058 DIAMETER, INSULATION PIERCING, P.C. CONTACT	
TOLERANCES UNLESS OTHERWISE SPECIFIED: 0 PLC ± 1 PLC ± 2 PLC ±0.13 3 PLC ± 4 PLC ± ANGLES ±		APVD A. BEDDICK 6-17-97	PRODUCT SPEC 108-1025 APPLICATION SPEC 114-1008	
MATERIAL 0.25 PH BRZ	FINISH PRE TIN	WEIGHT -	SIZE A2	CAGE CODE 00779
CUSTOMER DRAWING		SCALE 10:1	DRAWING NO. C-350393	RESTRICTED TO -
		SHEET 1	OF 1	REV B

350393